

ENGINE		200LC
Type	John Deere 6068T with altitude-compensating turbocharger	
Rated power	140 SAE net hp (104 kW) @ 2,150 rpm	
Cylinders	6	
Displacement	414 cu. in. (6.785 L)	
Maximum net torque	427 lb.-ft. (579 Nm) @ 1,300 rpm	
Fuel consumption, typical	3 to 5 gal./hr. (11.4 to 18.9 L/h)	
Cooling fan	suction-type	
Electrical system	24 volt with 45-amp alternator	
Batteries (two 12 volt)	reserve capacity: 180 min.	
Off-level capacity	100% (45 deg.)	

HYDRAULIC SYSTEM	
Main pumps	two variable-displacement axial-piston
Minimum flow	2 x 9.2 gpm (2 x 35 L/min.)
Maximum flow	2 x 52.6 gpm (2 x 199 L/min.)
Pilot pump	one gear
Maximum rated flow	8.7 gpm (33 L/min.)
Pressure setting	540 psi (3723 kPa)
System operating pressure	
Implement circuits	4,980 psi (34 336 kPa)
Travel circuits	4,980 psi (34 336 kPa)
Swing circuits	4,480 psi (30 888 kPa)
Power boost	5,260 psi (36 267 kPa)
Oil filtration	one 10-micron full-flow return filter with by-pass one pilot oil filter

CYLINDERS	
Boom (2)	
Bore	4.72 in. (120 mm)
Rod diameter	3.35 in. (85 mm)
Stroke	48.03 in. (1220 mm)
Arm (1)	
Bore	5.12 in. (130 mm)
Rod diameter	3.74 in. (95 mm)
Stroke	58.07 in. (1475 mm)
Bucket (1)	
Bore	4.33 in. (110 mm)
Rod diameter	2.95 in. (75 mm)
Stroke	41.73 in. (1060 mm)

SWING MECHANISM	
Swing speed	0–13.9 rpm
Swing torque	41,250 lb.-ft. (55 970 Nm)

UNDERCARRIAGE	
Carrier rollers (per side)	2
Track rollers (per side)	8
Shoes (per side)	49
Track guides	front and center
Track adjustment	hydraulic
Travel speed	
Low	0–2.0 mph (0–3.2 km/h)
High	0–3.2 mph (0–5.1 km/h)
Drawbar pull	42,420 lb. (19 240 kg)

GROUND PRESSURE DATA	
Average ground pressure	
24-in. (600 mm) triple semi-grouser shoes	5.90 psi (40.7 kPa); recommended for rocky terrain and stumps
28-in. (700 mm) triple semi-grouser shoes	5.16 psi (35.6 kPa); recommended for general terrain
32-in. (800 mm) triple semi-grouser shoes	4.58 psi (31.6 kPa); recommended for extremely soft terrain

CAPACITIES

200LC

Fuel tank	80 gal. (303 L)
Cooling system	30 qt. (28.4 L)
Engine lubrication, including filter.....	20 qt. (19 L)
Hydraulic system	52.8 gal. (200 L)
Propel gearbox (each)	5.5 qt. (5.2 L)

OPERATING WEIGHTS

With full fuel tank; 180-lb. (81 kg) operator; 1.12-cu. yd. (0.86 m³), 42-in. (1067 mm), 1,590-lb. (723 kg) bucket; 9 ft. 7 in. (2.91 m) arm; 9,810-lb. (4530 kg) counterweight; 14 ft. 8 in. (4.46 m) undercarriage length with 7 ft. 10 in. (2.39 m) wide gauge

24-in. (600 mm) triple semi-grouser shoes.....	43,230 lb. (19 608 kg)
28-in. (700 mm) triple semi-grouser shoes.....	44,130 lb. (20 018 kg)
32-in. (800 mm) triple semi-grouser shoes.....	44,750 lb. (20 298 kg)

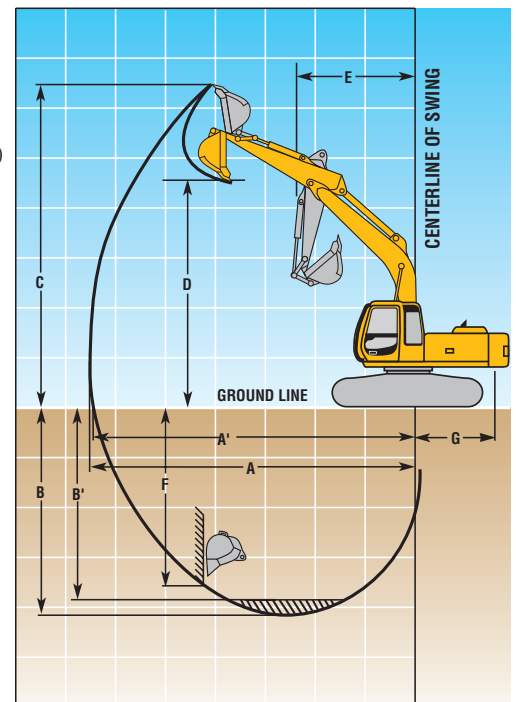
COMPONENT WEIGHTS

Upperstructure (less front attachments and 9,810-lb. [4450 kg] counterweight with full fuel tank)	9,987 lb. (4530 kg)
Undercarriage equipped with	
24-in. (600 mm) triple semi-grouser shoes.....	15,498 lb. (7030 kg)
28-in. (700 mm) triple semi-grouser shoes.....	16,402 lb. (7440 kg)
32-in. (800 mm) triple semi-grouser shoes.....	17,019 lb. (7720 kg)
One-piece boom (with arm cylinder).....	3,395 lb. (1540 kg)
Arm with bucket cylinder and linkage	
7 ft. 3 in. (2.22 m).....	1,839 lb. (834 kg)
9 ft. 7 in. (2.91 m).....	2,024 lb. (918 kg)
Boom lift cylinders (2) total weight	745 lb. (338 kg)
Counterweight.....	9,810 lb. (4450 kg)

OPERATING INFORMATION

	<i>Arm Length</i> 7 ft. 3 in. (2.22 m)	<i>Arm Length</i> 9 ft. 7 in. (2.91 m)
Arm force with 1.12-cu. yd. (0.86 m ³) 42-in. (1067 mm) general-purpose bucket*	27,680 lb. (12 556 kg)	21,570 lb. (9784 kg)
Bucket digging force with 1.12-cu. yd. (0.86 m ³) 42-in. (1067 mm) general-purpose bucket*.....	27,580 lb. (12 510 kg)	27,580 lb. (12 510 kg)
Lifting capacity over front @ ground level 20-ft. (6.1 m) reach*	14,601 lb. (6623 kg)	14,799 lb. (6713 kg)
A Maximum reach	30 ft. 4 in. (9.25 m)	32 ft. 6 in. (9.91 m)
A' Maximum reach @ ground level	29 ft. 9 in. (9.08 m)	32 ft. (9.75 m)
B Maximum digging depth	19 ft. 7 in. (5.98 m)	21 ft. 11 in. (6.67 m)
B' Maximum digging depth @ 8-ft. (2.44 m) flat bottom.....	18 ft. (5.74 m)	21 ft. 4 in. (6.49 m)
C Maximum cutting height.....	30 ft. 1 in. (9.17 m)	31 ft. 6 in. (9.60 m)
D Maximum dumping height	21 ft. (6.39 m)	22 ft. 3 in. (6.78 m)
E Minimum swing radius	11 ft. 7 in. (3.53 m)	11 ft. 7 in. (3.53 m)
F Maximum vertical wall	16 ft. 10 in. (5.14 m)	19 ft. 10 in. (6.05 m)
G Tail swing radius	9 ft. (2.75 m)	9 ft. (2.75 m)

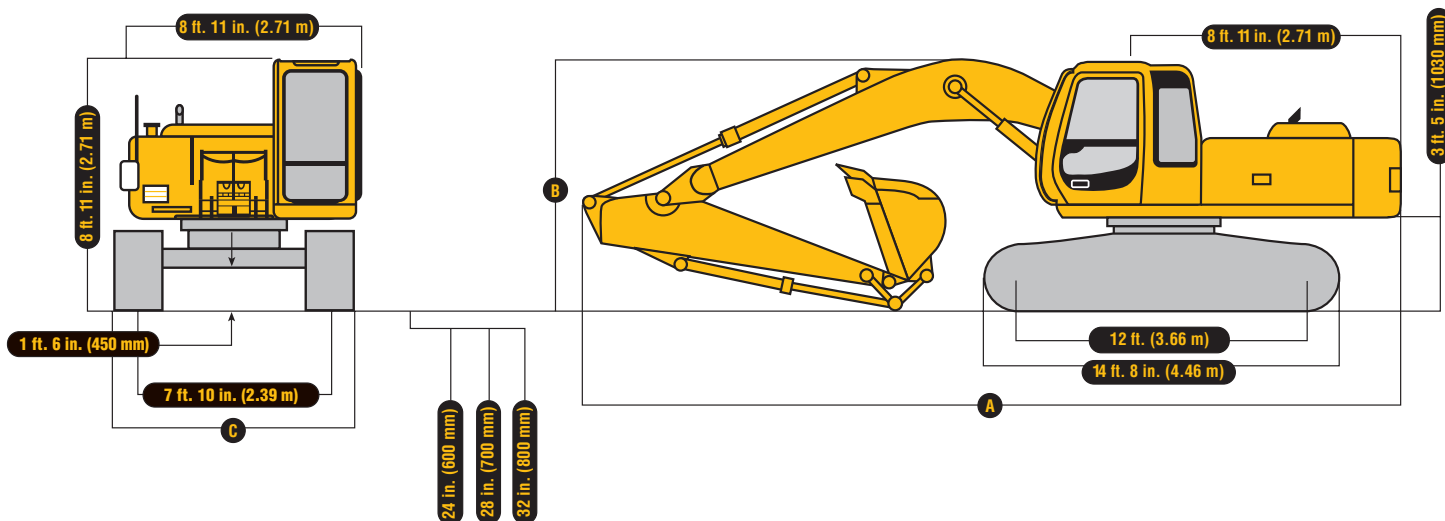
*Maximum digging force with power boost.



DIMENSIONS

200LC

- A** With 7 ft. 3 in. (2.22 m) arm31 ft. 7 in. (9.62 m)
With 9 ft. 7 in. (2.91 m) arm31 ft. 2 in. (9.50 m)
- B** With 7 ft. 3 in. (2.22 m) arm10 ft. 2 in. (3.09 m)
With 9 ft. 7 in. (2.91 m) arm9 ft. 9 in. (2.97 m)
- C** With 24-in. (600 mm) semi-grouser shoes9 ft. 10 in. (2.99 m)
With 28-in. (700 mm) semi-grouser shoes10 ft. 2 in. (3.09 m)
With 32-in. (800 mm) semi-grouser shoes10 ft. 6 in. (3.19 m)



LIFT CAPACITIES

Boldface italic type indicates hydraulic-limited capacities; lightface type indicates stability-limited capacities, in lb. (kg). Ratings at bucket lift hook, machine equipped with 1.12-cu. yd. (0.86 m³), 42-in. (1067 mm) wide, 1,590-lb. (723 kg) bucket; and situated on firm, uniform supporting surface. Total load includes weight of cables, hook, etc. Figures do not exceed 87 percent of hydraulic capacities or 75 percent of weight needed to tip machine. Lift capacities are with power boost and are based on SAE standard J1097.

Load Point Height	10 ft. (3.05 m)		15 ft. (4.57 m)		20 ft. (6.10 m)		25 ft. (7.62 m)	
	Over Front	Over Side	Over Front	Over Side	Over Front	Over Side	Over Front	Over Side
<i>With 7 ft. 3 in. (2.22 m) arm and 24 in. (600 mm) shoes</i>								
20 ft. (6.10 m)					9,710 (4370)	7,706 (3468)		
15 ft. (4.57 m)					10,385 (4673)	7,525 (3386)		
10 ft. (3.05 m)			15,775 (7099)	11,334 (5100)	12,063 (5428)	7,079 (3186)	10,619 (4779)	4,722 (2125)
5 ft. (1.52 m)					14,045 (6320)	6,590 (2966)	10,142 (4564)	4,511 (2030)
Ground Line			22,045 (9920)	9,739 (4383)	14,109 (6349)	6,243 (2809)	9,952 (4478)	4,338 (1952)
-5 ft. (-1.52 m)			21,882 (9847)	9,676 (4354)	13,953 (6279)	6,105 (2747)	9,896 (4453)	4,286 (1929)
-10 ft. (-3.05 m)	27,077 (12 185)	20,384 (9173)	20,242 (9109)	9,831 (4424)	14,038 (6317)	6,180 (2781)		
-15 ft. (-4.57 m)			16,254 (7314)	10,254 (4614)				
<i>With 7 ft. 3 in. (2.22 m) arm and 28 in. (700 mm) shoes</i>								
20 ft. (6.10 m)					9,710 (4370)	9,710 (4370)		
15 ft. (4.57 m)					10,385 (4673)	10,385 (4673)		
10 ft. (3.05 m)			15,775 (7099)	15,775 (7099)	12,063 (5428)	9,554 (4299)	10,619 (4779)	6,602 (2971)
5 ft. (1.52 m)					14,045 (6320)	9,065 (4079)	10,357 (4661)	6,391 (2876)
Ground Line			22,045 (9920)	13,359 (6012)	14,401 (6480)	8,718 (3923)	10,167 (4575)	6,218 (2798)
-5 ft. (-1.52 m)			21,882 (9847)	13,295 (5983)	14,245 (6410)	8,580 (3861)	10,111 (4550)	6,166 (2775)
-10 ft. (-3.05 m)	27,077 (12 185)	27,077 (12 185)	20,242 (9109)	13,450 (6053)	14,988 (6745)	8,655 (3895)		
-15 ft. (-4.57 m)			16,254 (7314)	13,874 (6243)				
<i>With 7 ft. 3 in. (2.22 m) arm and 32 in. (800 mm) shoes</i>								
20 ft. (6.10 m)					9,710 (4370)	9,710 (4370)		
15 ft. (4.57 m)					10,385 (4673)	10,385 (4673)		
10 ft. (3.05 m)			15,775 (7099)	15,775 (7099)	12,063 (5428)	9,678 (4355)	10,619 (4779)	6,696 (3013)
5 ft. (1.52 m)					14,045 (6320)	9,188 (4135)	10,505 (4727)	6,485 (2918)
Ground Line			22,045 (9920)	13,540 (6093)	14,601 (6570)	8,841 (3978)	10,315 (4642)	6,312 (2840)
-5 ft. (-1.52 m)			21,882 (9847)	13,476 (6064)	14,445 (6500)	8,703 (3916)	10,259 (4617)	6,261 (2817)
-10 ft. (-3.05 m)	27,077 (12 185)	27,077 (12 185)	20,242 (9109)	13,631 (6134)	14,988 (6745)	8,779 (3951)		
-15 ft. (-4.57 m)			16,254 (7314)	14,055 (6325)				

LIFT CAPACITIES (continued)

Boldface italic type indicates hydraulic-limited capacities; lightface type indicates stability-limited capacities, in lb. (kg). Ratings at bucket lift hook, machine equipped with 1.12-cu. yd. (0.86 m³), 42-in. (1067 mm) wide, 1,590-lb. (723 kg) bucket; and situated on firm, uniform supporting surface. Total load includes weight of cables, hook, etc. Figures do not exceed 87 percent of hydraulic capacities or 75 percent of weight needed to tip machine. Lift capacities are with power boost and are based on SAE standard J1097.

Load Point Height	10 ft. (3.05 m)		15 ft. (4.57 m)		20 ft. (6.10 m)		25 ft. (7.62 m)	
	Over Front	Over Side	Over Front	Over Side	Over Front	Over Side	Over Front	Over Side
<i>With 9 ft. 7 in. (2.91 m) arm and 24 in. (600 mm) shoes</i>								
20 ft. (6.10 m)					8,153 (3669)	8,153 (3669)		
15 ft. (4.57 m)					8,952 (4028)	7,705 (3467)	8,567 (3855)	4,975 (2239)
10 ft. (3.05 m)			13,434 (6045)	11,807 (5313)	10,763 (4843)	7,236 (3256)	9,581 (4311)	4,782 (2152)
5 ft. (1.52 m)			18,128 (8158)	10,579 (4761)	12,964 (5834)	6,693 (3012)	10,659 (4797)	4,523 (2035)
Ground Line			21,161 (9522)	9,822 (4420)	14,799 (6660)	6,259 (2817)	9,916 (4462)	4,294 (1932)
-5 ft. (-1.52 m)	13,325 (5996)	13,325 (5996)	22,017 (9908)	9,567 (4305)	13,881 (6246)	6,027 (2712)	9,773 (4398)	4,163 (1873)
-10 ft. (-3.05 m)	26,298 (11 834)	19,819 (8919)	21,201 (9540)	9,609 (4324)	13,852 (6233)	6,001 (2700)	9,811 (4415)	4,198 (1889)
-15 ft. (-4.57 m)	25,787 (11 604)	20,383 (9172)	18,474 (8313)	9,897 (4454)	13,300 (5985)	6,221 (2799)		
<i>With 9 ft. 7 in. (2.91 m) arm and 28 in. (700 mm) shoes</i>								
20 ft. (6.10 m)					8,153 (3669)	8,153 (3669)		
15 ft. (4.57 m)					8,952 (4028)	8,952 (4028)	8,567 (3855)	6,855 (3085)
10 ft. (3.05 m)			13,434 (6045)	13,434 (6045)	10,763 (4843)	9,710 (4370)	9,581 (4311)	6,662 (2998)
5 ft. (1.52 m)			18,128 (8158)	14,199 (6390)	12,964 (5834)	9,168 (4126)	10,659 (4797)	6,403 (2881)
Ground Line			21,161 (9522)	13,442 (6049)	14,799 (6660)	8,734 (3930)	10,131 (4559)	6,174 (2778)
-5 ft. (-1.52 m)	13,325 (5996)	13,325 (5996)	22,017 (9908)	13,187 (5934)	14,173 (6378)	8,501 (3825)	9,989 (4495)	6,043 (2719)
-10 ft. (-3.05 m)	26,298 (11 834)	26,298 (11 834)	21,201 (9540)	13,228 (5953)	14,145 (6365)	8,476 (3814)	10,026 (4512)	6,078 (2735)
-15 ft. (-4.57 m)	25,787 (11 604)	25,787 (11 604)	18,474 (8313)	13,516 (6082)	13,300 (5985)	8,696 (3913)		
<i>With 9 ft. 7 in. (2.91 m) arm and 32 in. (800 mm) shoes</i>								
20 ft. (6.10 m)					8,153 (3669)	8,153 (3669)		
15 ft. (4.57 m)					8,952 (4028)	8,952 (4028)	8,567 (3855)	6,949 (3127)
10 ft. (3.05 m)			13,434 (6045)	13,434 (6045)	10,763 (4843)	9,834 (4425)	9,581 (4311)	6,756 (3040)
5 ft. (1.52 m)			18,128 (8158)	14,380 (6471)	12,964 (5834)	9,292 (4181)	10,659 (4797)	6,497 (2924)
Ground Line			21,161 (9522)	13,623 (6130)	14,799 (6660)	8,858 (3986)	10,279 (4626)	6,268 (2821)
-5 ft. (-1.52 m)	13,325 (5996)	13,325 (5996)	22,017 (9908)	13,368 (6016)	14,373 (6468)	8,625 (3881)	10,136 (4561)	6,137 (2762)
-10 ft. (-3.05 m)	26,298 (11 834)	26,298 (11 834)	21,201 (9540)	13,409 (6034)	14,345 (6455)	8,600 (3870)	10,174 (4578)	6,172 (2777)
-15 ft. (-4.57 m)	25,787 (11 604)	25,787 (11 604)	18,474 (8313)	13,697 (6164)	13,300 (5985)	8,820 (3969)		

BUCKETS

A full line of buckets is offered to meet a wide variety of applications. Buckets have an adjustable bushing for side clearance, with the exception of the ditching buckets. Tooth selection includes either the John Deere Fanggs®, Standard, Tiger, Twin Tiger, Abrasion panel, or Flare, or the ESCO (Vertalok) Standard, Tiger, Twin Tiger, or Flare tooth. Replaceable cutting edges are available through John Deere parts. Optional side cutters add 6 inches (150 mm) to bucket widths.

Type Bucket	Bucket Width		Bucket Capacity*		Weight		Bucket Dig Force**		Arm Dig Force** 7 ft. 3 in. (2.22 m)		Arm Dig Force** 9 ft. 7 in. (2.91 m)		Bucket Tip Radius		No. Teeth
	in.	mm	cu. yd.	m ³	lb.	kg	lb.	kg	lb.	kg	lb.	kg	in.	mm	
General-Purpose	24	600	0.59	0.45	1,106	502	27,580	12 510	27,680	12 556	21,570	9784	55.5	1410	4
Plate Lip	30	750	0.77	0.59	1,182	536	27,580	12 510	27,680	12 556	21,570	9784	55.5	1410	4
	36	900	0.95	0.73	1,401	635	27,580	12 510	27,680	12 556	21,570	9784	55.5	1410	5
	42	1067	1.12	0.86	1,590	721	27,580	12 510	27,680	12 556	21,570	9784	55.5	1410	5
	48	1220	1.30	0.99	1,673	759	27,580	12 510	27,680	12 556	21,570	9784	55.5	1410	6
General-Purpose	30	750	0.95	0.73	1,391	631	26,620	12 075	27,320	12 392	21,302	9662	57.5	1461	4
High Capacity	36	900	1.16	0.89	1,451	658	26,620	12 075	27,320	12 392	21,302	9662	57.5	1461	5
	42	1067	1.38	1.06	1,596	724	26,620	12 075	27,320	12 392	21,302	9662	57.5	1461	5
	48	1220	1.60	1.22	1,785	809	26,620	12 075	27,320	12 392	21,302	9662	57.5	1461	6
Heavy-Duty	24	600	0.59	0.45	1,358	616	27,580	12 510	27,680	12 556	21,570	9784	55.5	1410	4
Plate Lip	30	750	0.77	0.59	1,447	656	27,580	12 510	27,680	12 556	21,570	9784	55.5	1410	4
	36	900	0.95	0.73	1,567	711	27,580	12 510	27,680	12 556	21,570	9784	55.5	1410	5
	42	1067	1.12	0.86	1,676	760	27,580	12 510	27,680	12 556	21,570	9784	55.5	1410	5
	48	1220	1.30	0.99	1,759	798	27,580	12 510	27,680	12 556	21,570	9784	55.5	1410	6

BUCKETS (continued)

A full line of buckets is offered to meet a wide variety of applications. Buckets have an adjustable bushing for side clearance, with the exception of the ditching buckets. Tooth selection includes either the John Deere Fanggs®, Standard, Tiger, Twin Tiger, Abrasion panel, or Flare, or the ESCO (Vertalok) Standard, Tiger, Twin Tiger, or Flare tooth. Replaceable cutting edges are available through John Deere parts. Optional side cutters add 6 inches (150 mm) to bucket widths.

Type Bucket	Bucket Width		Bucket Capacity*		Weight		Bucket Dig Force**		Arm Dig Force** 7 ft. 3 in. (2.22 m)		Arm Dig Force** 9 ft. 7 in. (2.91 m)		Bucket Tip Radius		No. Teeth
	in.	mm	cu. yd.	m ³	lb.	kg	lb.	kg	lb.	kg	lb.	kg	in.	mm	
Heavy-Duty	24	600	0.73	0.56	1,401	635	26,620	12 075	27,320	12 392	21,302	9662	57.5	1461	4
High Capacity	30	750	0.95	0.73	1,528	693	26,620	12 075	27,320	12 392	21,302	9662	57.5	1461	4
	36	900	1.16	0.89	1,629	739	26,620	12 075	27,320	12 392	21,302	9662	57.5	1461	5
	42	1067	1.38	1.06	1,701	771	26,620	12 075	27,320	12 392	21,302	9662	57.5	1461	5
Severe-Duty	24	600	0.59	0.45	1,439	653	27,580	12 510	27,680	12 556	21,570	9784	55.5	1410	4
Cast Lip	30	750	0.77	0.59	1,551	703	27,580	12 510	27,680	12 556	21,570	9784	55.5	1410	4
	36	900	0.95	0.73	1,629	739	27,580	12 510	27,680	12 556	21,570	9784	55.5	1410	5
Severe-Duty	30	750	0.77	0.59	1,760	798	27,580	12 510	27,680	12 556	21,302	9662	55.5	1410	4
Plate Lip	36	900	0.95	0.73	1,859	843	27,580	12 510	27,680	12 556	21,302	9662	55.5	1410	4
Ditching	60	1500	0.90	0.69	1,121	508	41,370	18 765	41,520	18 833	32,355	14 676	37.0	940	0
	72	1800	1.06	0.81	1,244	564	41,370	18 765	41,520	18 833	32,355	14 676	37.0	940	0

*All capacities are SAE heaped ratings and with side cutters.

**With power boost.

BUCKET SELECTION CHART

	Recommended Bucket Size*	
	General-Purpose Bucket	Heavy-Duty Bucket
Material (loose weight)		
Wood chips – 700 lb./cu. yd. (420 kg/m ³)	6.50 cu. yd. (5.0 m ³)	—
Peat, dry – 750 lb./cu. yd. (440 kg/m ³)	5.50 cu. yd. (4.2 m ³)	—
Cinders – 950 lb./cu. yd. (560 kg/m ³)	4.00 cu. yd. (3.1 m ³)	—
Peat, wet – 1,170 lb./cu. yd. (690 kg/m ³)	3.50 cu. yd. (2.7 m ³)	—
Topsoil – 1,600 lb./cu. yd. (950 kg/m ³)	2.50 cu. yd. (1.9 m ³)	—
Coal – 1,780 lb./cu. yd. (1050 kg/m ³)	2.25 cu. yd. (1.7 m ³)	—
Caliche – 2,100 lb./cu. yd. (1250 kg/m ³)	1.38 to 1.75 cu. yd. (1.1 to 1.3 m ³)	1.25 to 1.50 cu. yd. (1.0 to 1.1 m ³)
Earth, loam – 2,100 lb./cu. yd. (1250 kg/m ³)	1.75 cu. yd. (1.3 m ³)	1.50 cu. yd. (1.1 m ³)
Shale – 2,250 lb./cu. yd. (1330 kg/m ³)	1.75 cu. yd. (1.3 m ³)	1.50 cu. yd. (1.1 m ³)
Sand, dry – 2,400 lb./cu. yd. (1420 kg/m ³)	1.75 cu. yd. (1.3 m ³)	1.50 cu. yd. (1.1 m ³)
Clay, dry – 2,500 lb./cu. yd. (1480 kg/m ³)	1.12 to 1.50 cu. yd. (0.9 to 1.1 m ³)	1.38 cu. yd. (1.1 m ³)
Earth, dry – 2,550 lb./cu. yd. (1510 kg/m ³)	1.38 to 1.50 cu. yd. (1.1 m ³)	1.38 cu. yd. (1.1 m ³)
Limestone, broken or crushed – 2,600 lb./cu. yd. (1540 kg/m ³)	1.12 to 1.50 cu. yd. (0.9 to 1.1 m ³)	1.00 to 1.38 cu. yd. (0.8 to 1.1 m ³)
Earth, wet – 2,700 lb./cu. yd. (1600 kg/m ³)	1.50 cu. yd. (1.1 m ³)	1.38 cu. yd. (1.1 m ³)
Clay, wet – 2,800 lb./cu. yd. (1660 kg/m ³)	1.50 cu. yd. (1.1 m ³)	1.38 cu. yd. (1.1 m ³)
Rock, granite, blasted and broken – 2,800 lb./cu. yd. (1660 kg/m ³)	1.38 to 1.75 cu. yd. (1.1 to 1.3 m ³)	1.25 to 1.50 cu. yd. (1.0 to 1.1 m ³)
Sand, moist – 2,850 lb./cu. yd. (1690 kg/m ³)	1.50 cu. yd. (1.1 m ³)	1.38 cu. yd. (1.1 m ³)
Sand and gravel, dry – 2,900 lb./cu. yd. (1720 kg/m ³)	1.50 cu. yd. (1.1 m ³)	1.38 cu. yd. (1.1 m ³)
Sand, wet – 3,100 lb./cu. yd. (1840 kg/m ³)	1.38 cu. yd. (1.1 m ³)	1.25 cu. yd. (1.0 m ³)
Sand and gravel, wet – 3,400 lb./cu. yd. (2020 kg/m ³)	1.38 cu. yd. (1.1 m ³)	1.25 cu. yd. (1.0 m ³)

*Contact your John Deere dealer for optimum bucket and attachment selections. These recommendations are for general conditions and average use. Larger buckets may be possible when using light buckets, for flat and level operations, less compacted materials, and volume loading applications such as mass excavation applications in ideal conditions. Smaller buckets are recommended for adverse conditions such as off-level applications and uneven surfaces. Bucket capacity indicated is SAE heaped.

	200LC		200LC		200LC
ENGINE		Engine hood	●	Interior light	●
Auto-idle system	●	Fuel cap	●	Mode selectors (illuminated)	●
Automatic belt tension device	●	Service doors	●	Power modes – four	●
Batteries (two 12 volt), 180-min. reserve capacity	●	Toolbox	●	Travel modes – two with automatic shift	●
Dual element dry-type air filter	●			Work modes – four	●
Electric fuel shutoff	●	FRONT ATTACHMENTS		Monitor system with alarm features	●
Enclosed fan guard	●	Bucket-to-arm clearance adjustable bushing (except ditching buckets)	●	Auto-idle indicator light	●
Conforms to SAE J1308		Centralized lubrication system	●	Engine air cleaner restriction indicator light	●
Engine coolant to -34°F (-37°C)	●	Dirt seals on all bucket pins	●	Engine coolant temperature indicator light with audible alarm	●
Fuel filter with water separator	●	No-boom-arm	●	Engine oil pressure indicator light with audible alarm	●
Full-flow oil filter	●	Arm, 7 ft. 3 in. (2.22 m)	●	Fluid level	
Radiator trash screen	●	Arm, 9 ft. 7 in. (2.91 m)	●	Engine coolant level indicator light	●
Underhood muffler with vertical curved end exhaust stack	●	Attachment quick couplers	■	Engine oil level indicator light	●
Electric ether starting aid	■	Boom cylinder with plumbing to mainframe	■	Hydraulic oil level indicator light	●
Engine coolant heater	■	Buckets	■	Low alternator charge indicator light	●
		Ditching	■	Low fuel indicator light	●
HYDRAULIC SYSTEM		General purpose	■	Motion alarm with cancel switch	●
Anti-drift valve for boom down, arm in	●	General-purpose high capacity	■	Conforms to SAE J994	●
Spring-applied, hydraulically-released automatic swing brake	●	Heavy duty	■	Power boost switch on right control lever	●
Auxiliary hydraulic and electric pilot controls	■	Heavy-duty high capacity	■	Propel pedals and levers	●
Auxiliary hydraulic lines	■	Severe-duty cast lip	■	Seat belt, 2 in. (51 mm), retractable	●
Hydraulic filter restriction indicator kit	■	Severe-duty plate lip	■	Seat belt, 3 in. (76 mm), retractable	■
Load-lowering control device	■	Side cutters and teeth	■	Tinted glass	●
Single pedal propel control	■	Heavy-duty grapple	■	Air conditioning	●
		Hydraulic bucket material clamps	■	Alternate pilot control pattern	■
UNDERCARRIAGE		Slide-Loc hydraulic coupler	■	Circulation fan	■
Planetary drive	●	Super-long front	■	Protection screens for cab front, rear, and side	■
Propel motor shields	●			Window vandal protection covers	■
Track guides, front idler and center	●	OPERATOR'S STATION		24- to 12-volt D.C. radio convertors	■
Triple semi-grouser shoes, 32 in. (800 mm)	●	Adjustable seat with independent control positions (levers-to-seat, seat-to-pedals)	●		
Triple semi-grouser shoes, 24 in. (600 mm)	●	AM/FM radio	■	ELECTRICAL	
Triple semi-grouser shoes, 28 in. (700 mm)	●	Deluxe suspension cloth seat with adjustable armrests	■	Blade-type multi-fused circuits	●
Two-speed propel with automatic shift	●	Front windshield wiper with intermittent speed	●	By-pass start safety cover on starter	●
Upper carrier rollers (2)	●	Gauges (illuminated)	●	Positive terminal battery covers	●
		Engine coolant	●	Cab extension wiring harness	■
UPPERSTRUCTURE		Fuel	●		
Counterweight, 9,810 lb. (4415 kg)	●	Heater, 20,000 Btu/hr (5.9 kW) with blower fan	●	LIGHTS	
Right- and left-hand mirrors	●	Horn, electric on left control lever	●	Halogen work lights	
Toolbox	●	Hourmeter, electric	●	One mounted on boom	●
Vandal locks with ignition key	●	Hydraulic shutoff lever, all controls	●	One mounted on frame	●
Cab door	●				

KEY: ● Standard equipment ■ Optional or special equipment

CONTROL OWNING AND OPERATING COSTS

Total Repair Cost Management (TRCM) is part of John Deere's proactive, fix-before-fail strategy on machine maintenance that will help control costs, increase profits, and reduce stress. Included in this comprehensive lineup of ongoing programs and services are:

OilScan® Plus program – tells you what's going on inside *all* of your machine's major components so you'll see a decline in performance *before* the system fails. OilScan Plus oil analysis is included in most SECURE®-Extended warranty and preventive-maintenance contracts.

MaintainIt™ program – Flexible, easy-to-use MaintainIt software lets you start your own computerized maintenance program by putting complete machine histories at your fingertips. It features a library of John Deere equipment, a spare-parts inventory list, and a list of maintenance tasks. Compare costs; schedule maintenance procedures by hourmeter or date; or print, fax, or e-mail purchase and work orders with just a few quick keystrokes.

Component life-cycle data – gives you vital information on the projected life span of components and lets you make informed decisions on machine maintenance by telling you approximately how many hours of use you can expect from an engine, transmission, or hydraulic pump. This information can

be used to preempt catastrophic downtime by servicing major components at about 80 percent of their life cycle.

Preventive Maintenance (PM) contracts – give you a fixed cost for maintaining a machine for a given period of time. It also helps you avoid downtime by ensuring that critical maintenance work gets done right and on schedule. On-site preventive maintenance service performed where and when you need it helps protect you from the expense of catastrophic failures and lets you avoid waste-disposal hassles.

SECURE-Extended warranty – gives you a fixed cost for machine repairs for a given period of time so you can effectively manage costs. Whether you work in a severe-service setting or just want to spread the risk of doing business, this is a great way to custom-fit coverage for your operation. And a SECURE-Extended contract also travels well because it's backed by John Deere and is honored by *all* Deere construction dealers.

Customer Support Advisors (CSAs) – Deere believes the CSA program lends a *personal* quality to Total Repair Cost Management. Certified Customer Support Advisors have the knowledge and skills for helping make important decisions on machine maintenance and repair. Their mission is to help you implement a plan that's right for *your* business and take the burden of machine maintenance off your shoulders.



Net engine power is with standard equipment including air cleaner, exhaust system, alternator, and cooling fan, at standard conditions per SAE J1349 and DIN 6270B, using No. 2-D fuel at 35 API gravity. No derating is required up to 10,000 ft. (3050 m) altitude. Gross power is without cooling fan.

Specifications and design subject to change without notice. Wherever applicable, specifications are in accordance with SAE standards. Except where otherwise noted, these specifications are based on a unit with 42-in. (1067 mm) bucket, 32-in. (800 mm) track shoes, 9,810-lb. (4450 kg) counterweight, full fuel tank, and 180-lb. (81 kg) operator.

